



VS Series

Making Digital Radio **Work.**

VS Series

Low Power FM

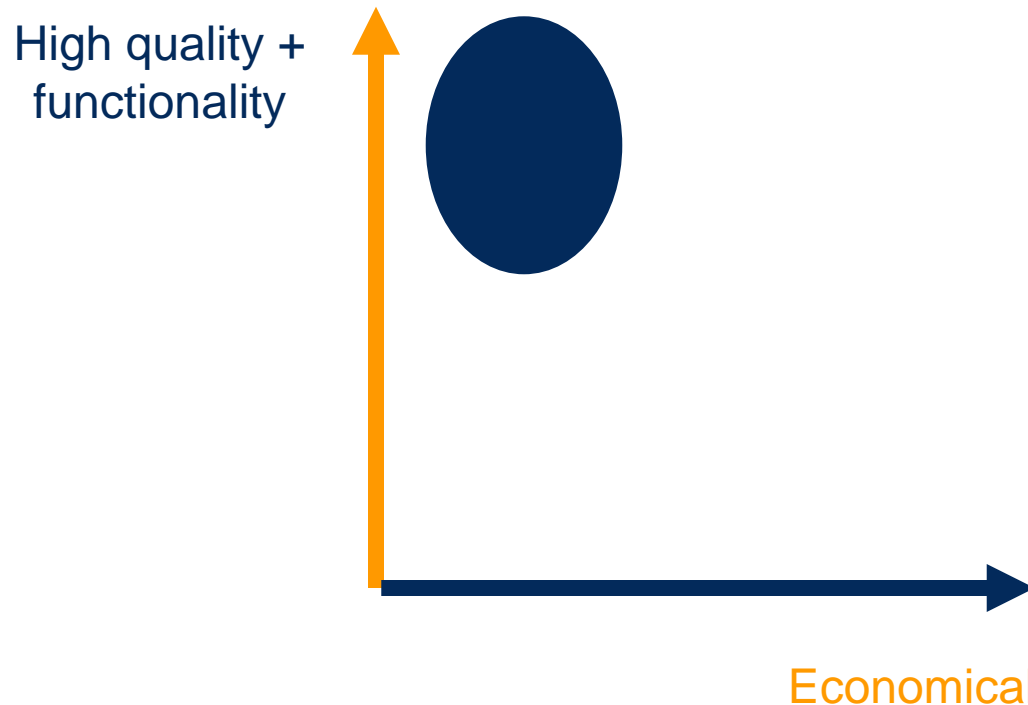


VS Series

Making Digital Radio **Work.**

The Low Power Challenge

Traditional designs typically trade off high quality for economy.

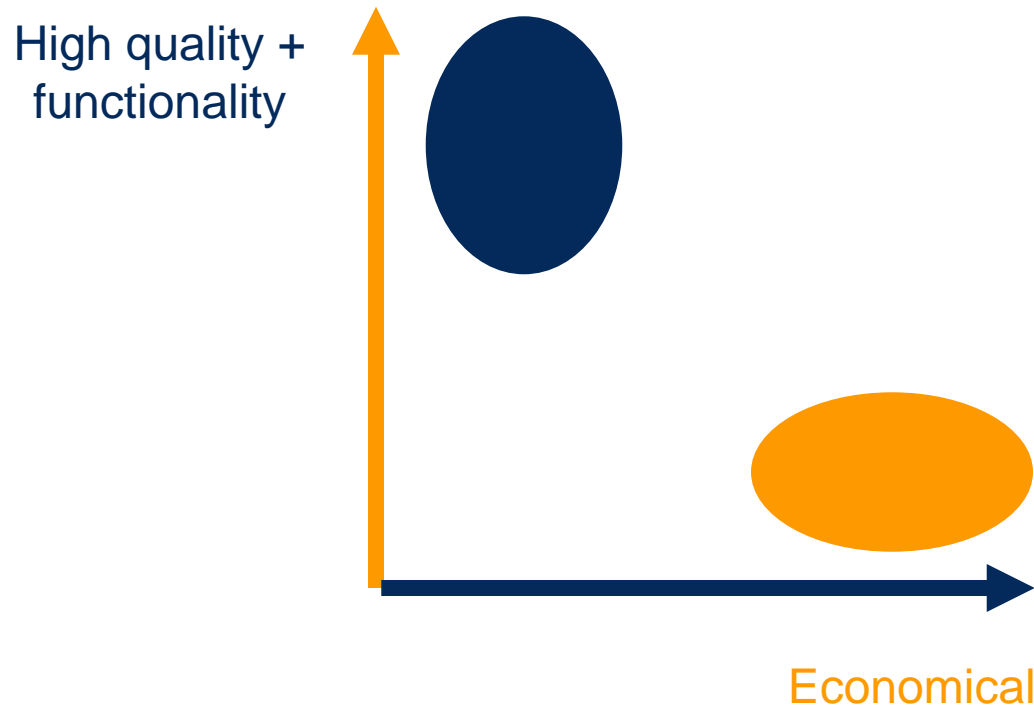


VS Series

Making Digital Radio **Work.**

The Low Power Challenge

Traditional designs typically trade off high quality for economy.

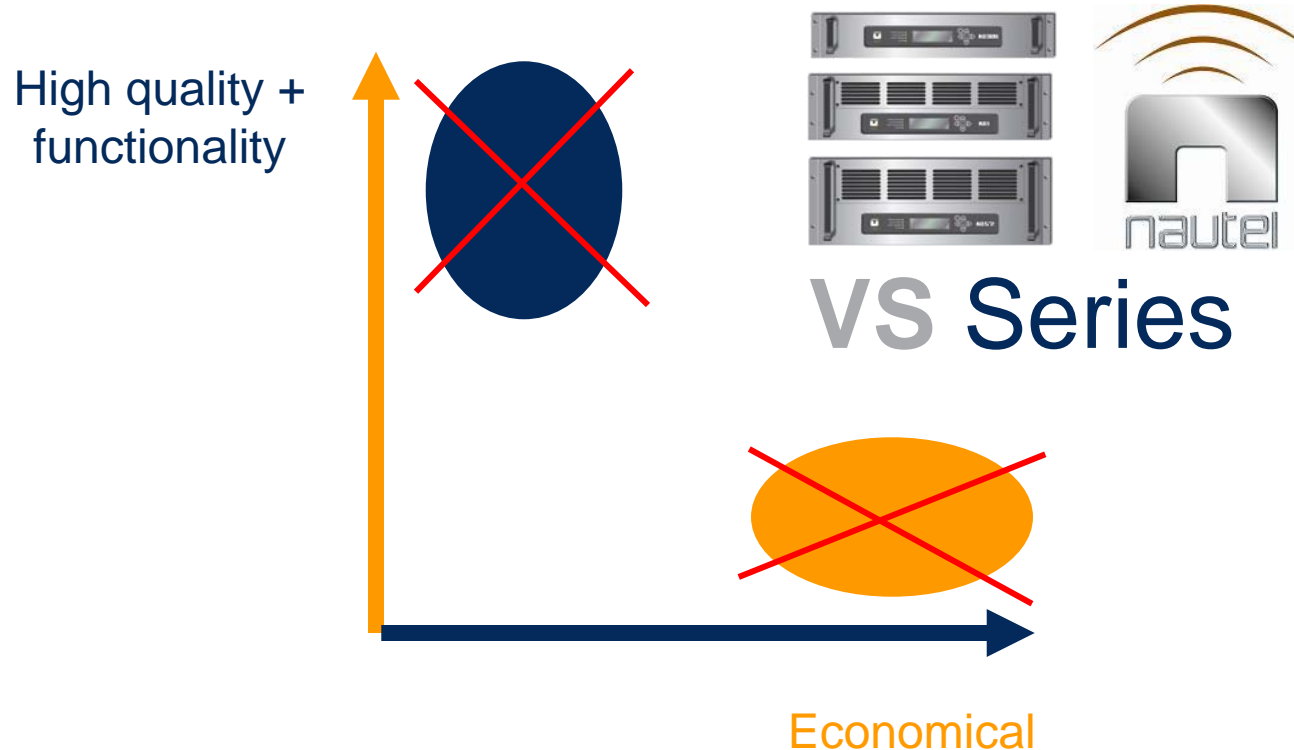


VS Series

Making Digital Radio **Work.**

The Low Power Challenge

Now with Nautel you get high quality, innovations and value!



VS Series

Making Digital Radio **Work.**

The New VS Series FM



VS300
300W



VS Series

Making Digital Radio **Work.**

The New VS Series FM



VS300
300W



VS1.0
1000W



VS Series

Making Digital Radio **Work.**

The New VS Series FM



VS300
300W



VS1.0
1000W



VS2.5
2500W



VS Series

Making Digital Radio **Work.**

The New VS Series FM

Easy upgrade to  Radio



VS300
300W
2RU



VS1.0
1000W
3RU



VS2.5
2500W
4RU



VS Series

Making Digital Radio **Work.**

VS Series

Low Power FM



VS Series

Making Digital Radio **Work.**

The New VS Series FM

- Ultra compact
- Low cost, high quality
- Integral exciter
- Front panel LCD control
- TCP/IP remote access
- Rugged reliable design
- USB backup audio



VS Series

Making Digital Radio **Work.**

The New VS Series FM

Future Ready Today!

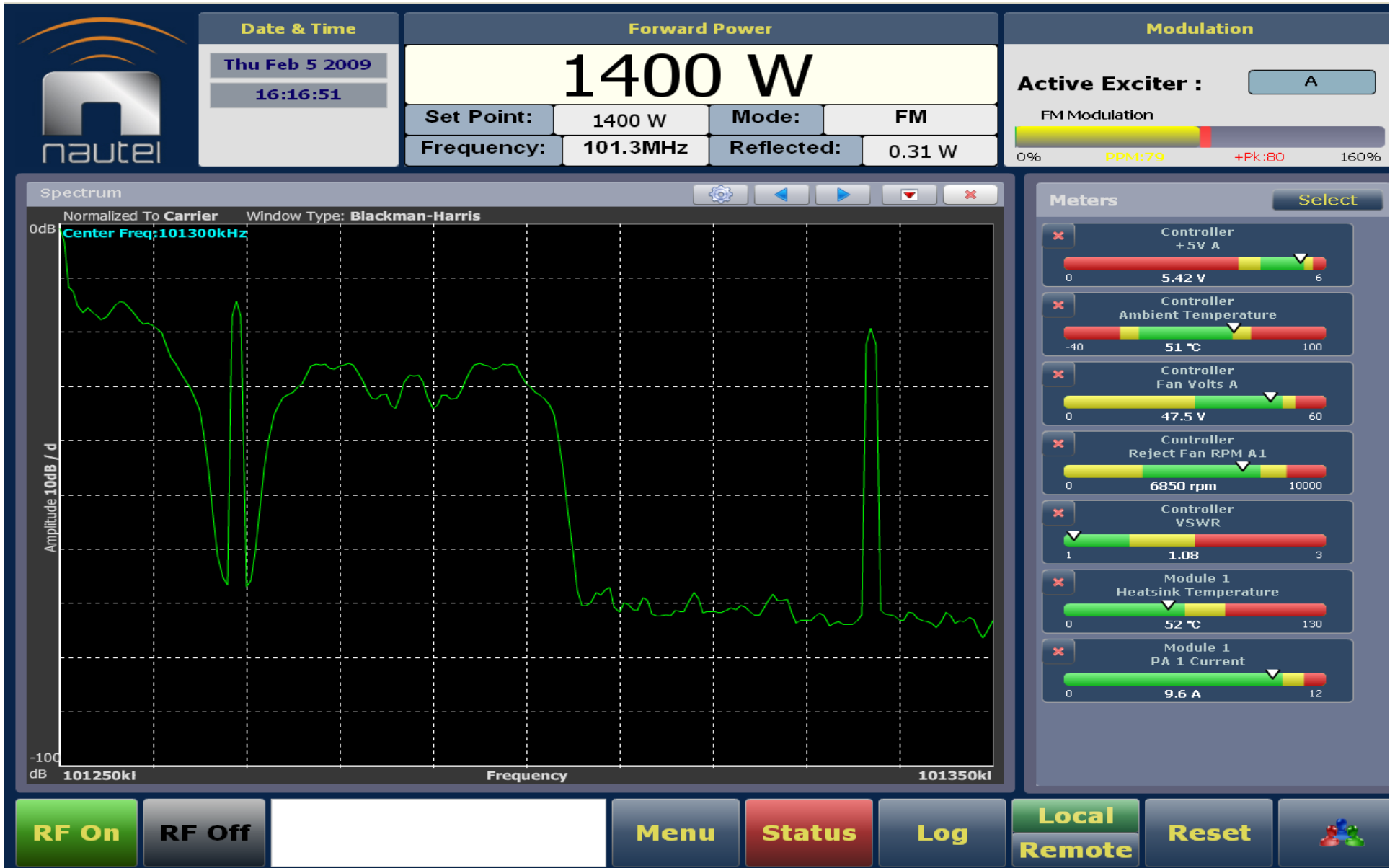
- Advanced User Interface
- IP Audio I/O
- Livewire Support
- Upgrade to digital
 - HD Radio
 - DRM+
- Advanced instrumentation



VS Series

Making Digital Radio **Work.**

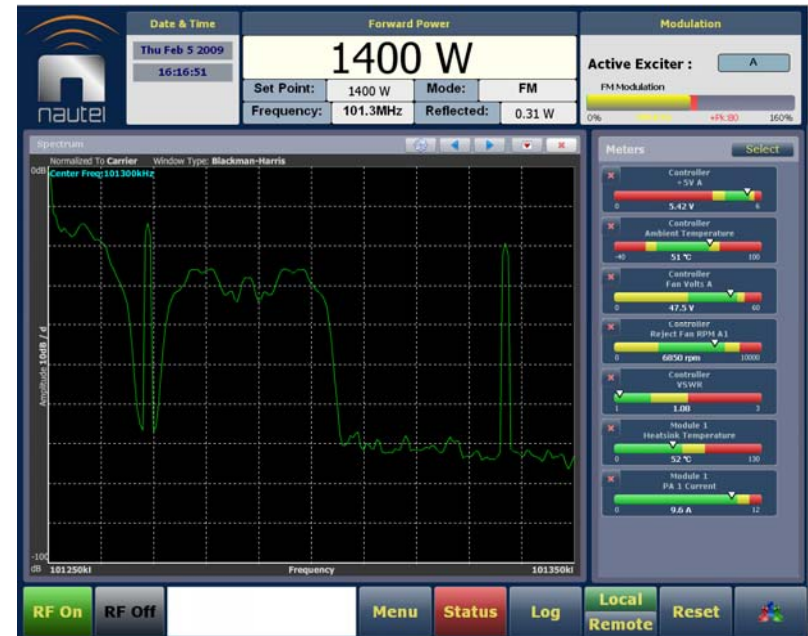
VS: Advanced User Interface



The New VS Series FM

Advanced User Interface

- Local or remote access using web browser
- Management/control
- Extensive logging
- Presets
- Instrumentation



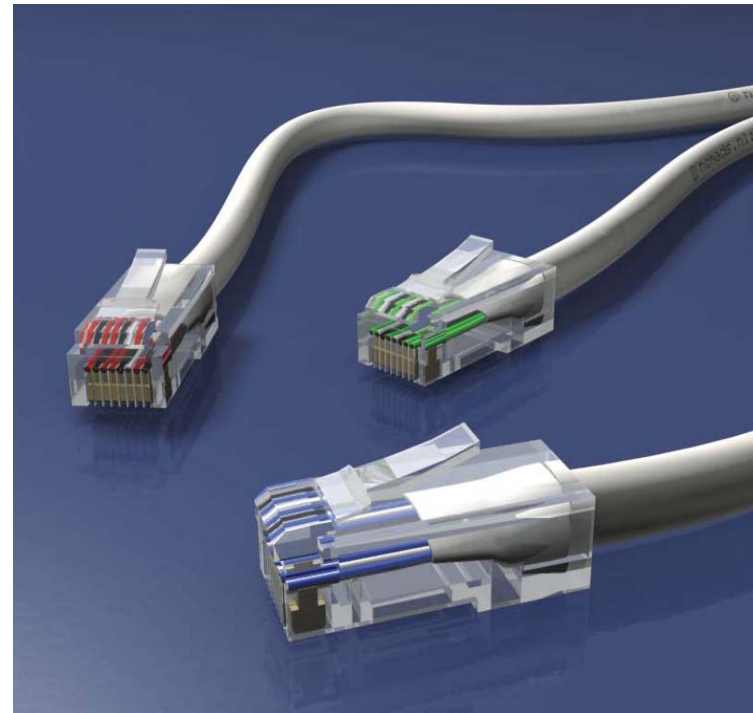
VS Series

Making Digital Radio **Work.**

The New VS Series FM

IP Audio I/O

- Direct IP audio input
- Stream  SHOUTcast
- Livewire for real-time uncompressed digital audio 
- Now all devices can connect using IP



VS Series

Making Digital Radio **Work.**

VS Series

Low Power FM



VS Series

Making Digital Radio **Work.**

VS 300 Details



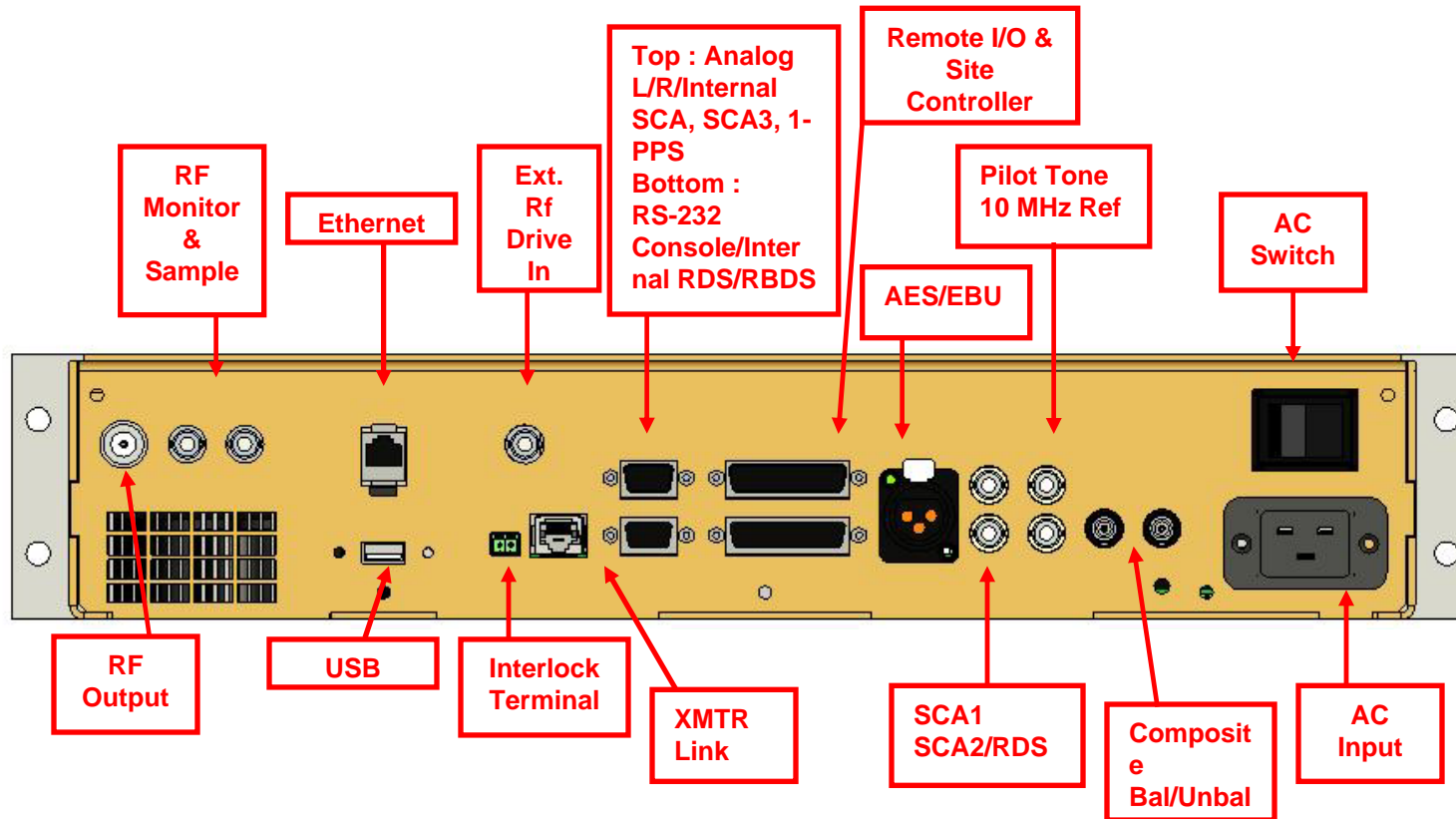
- 2 RU
- 2 power amplifiers
- Extra power: 350W
- Easy user interface
- TCP/IP remote access
- Front access filter



VS Series

Making Digital Radio **Work.**

VS 300 Rear View and I/O



VS Series

Making Digital Radio **Work.**

VS 1.0 Details



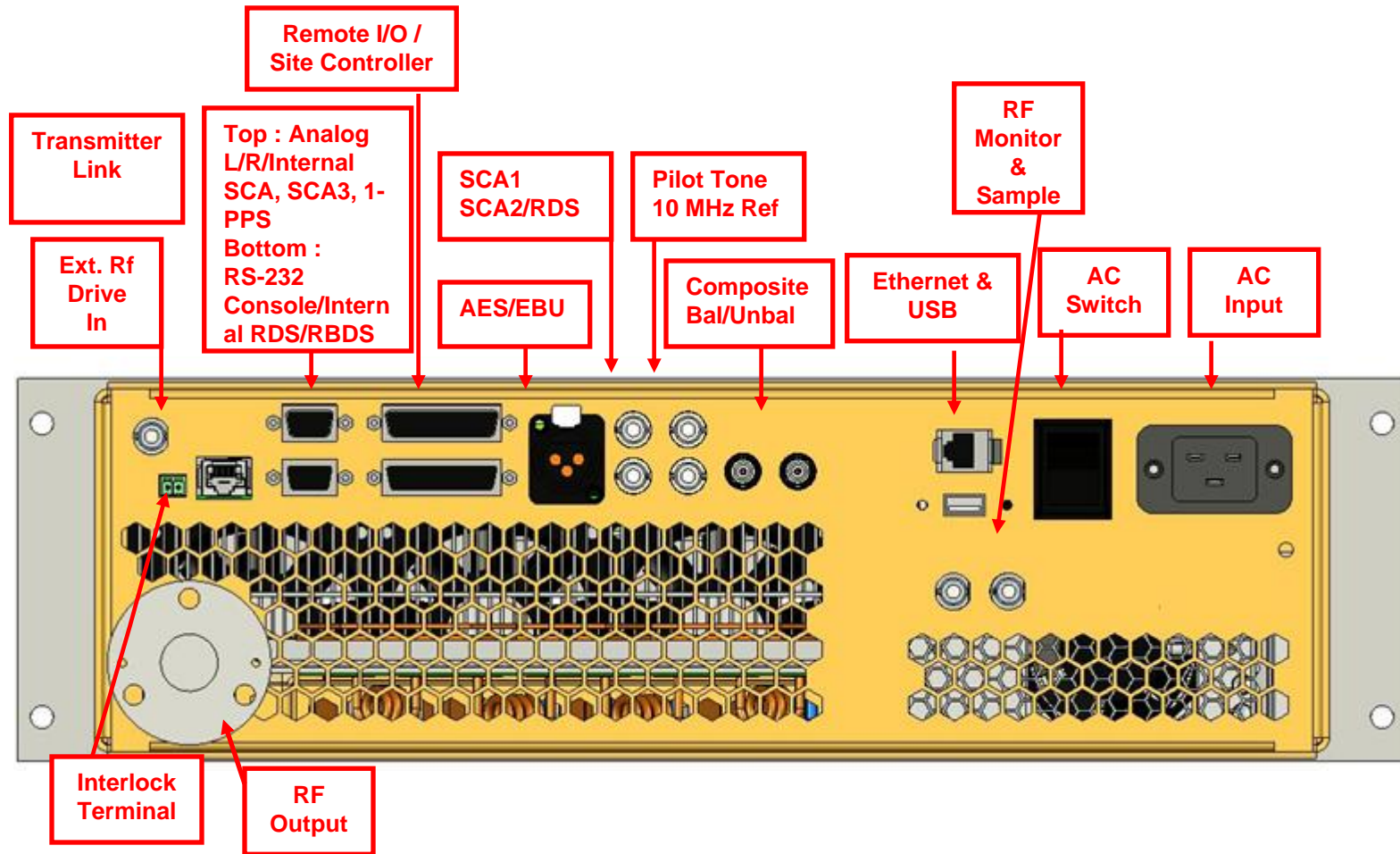
- 3 RU
- 4 power amplifiers
- Extra power: 1400W
- Easy user interface
- TCP/IP remote access
- Front access filter



VS Series

Making Digital Radio **Work.**

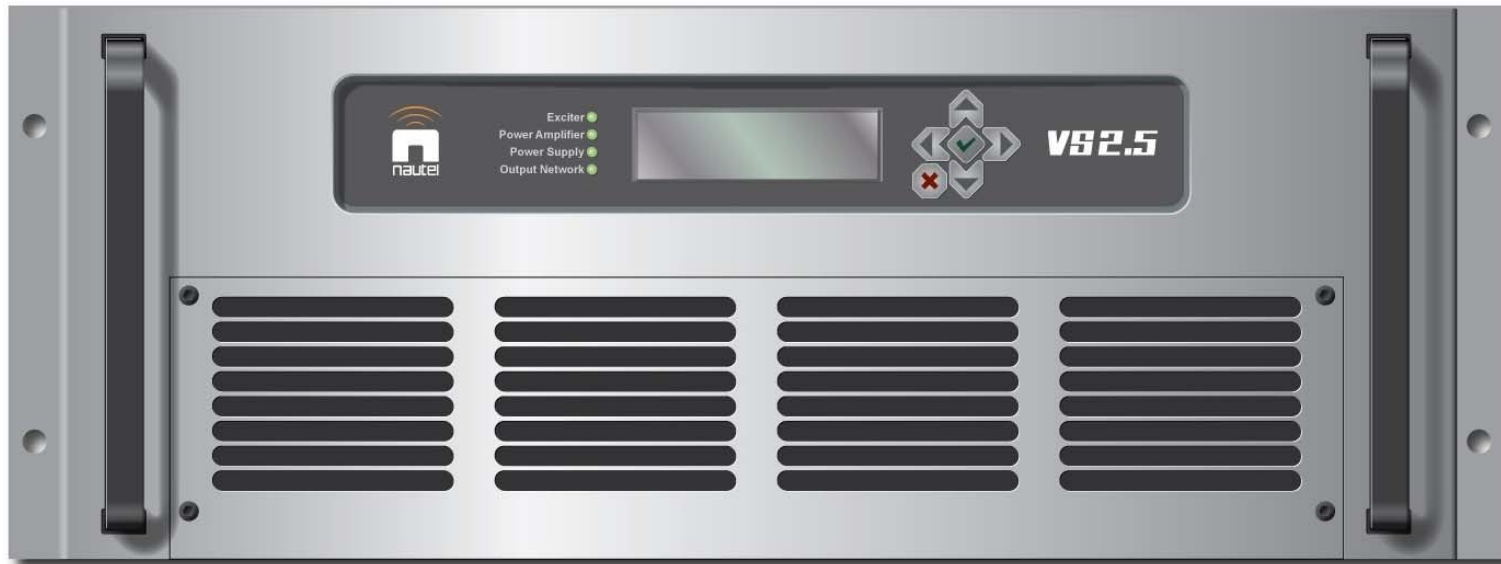
VS 1.0 Rear View and I/O



VS Series

Making Digital Radio **Work.**

VS 2.5 Details



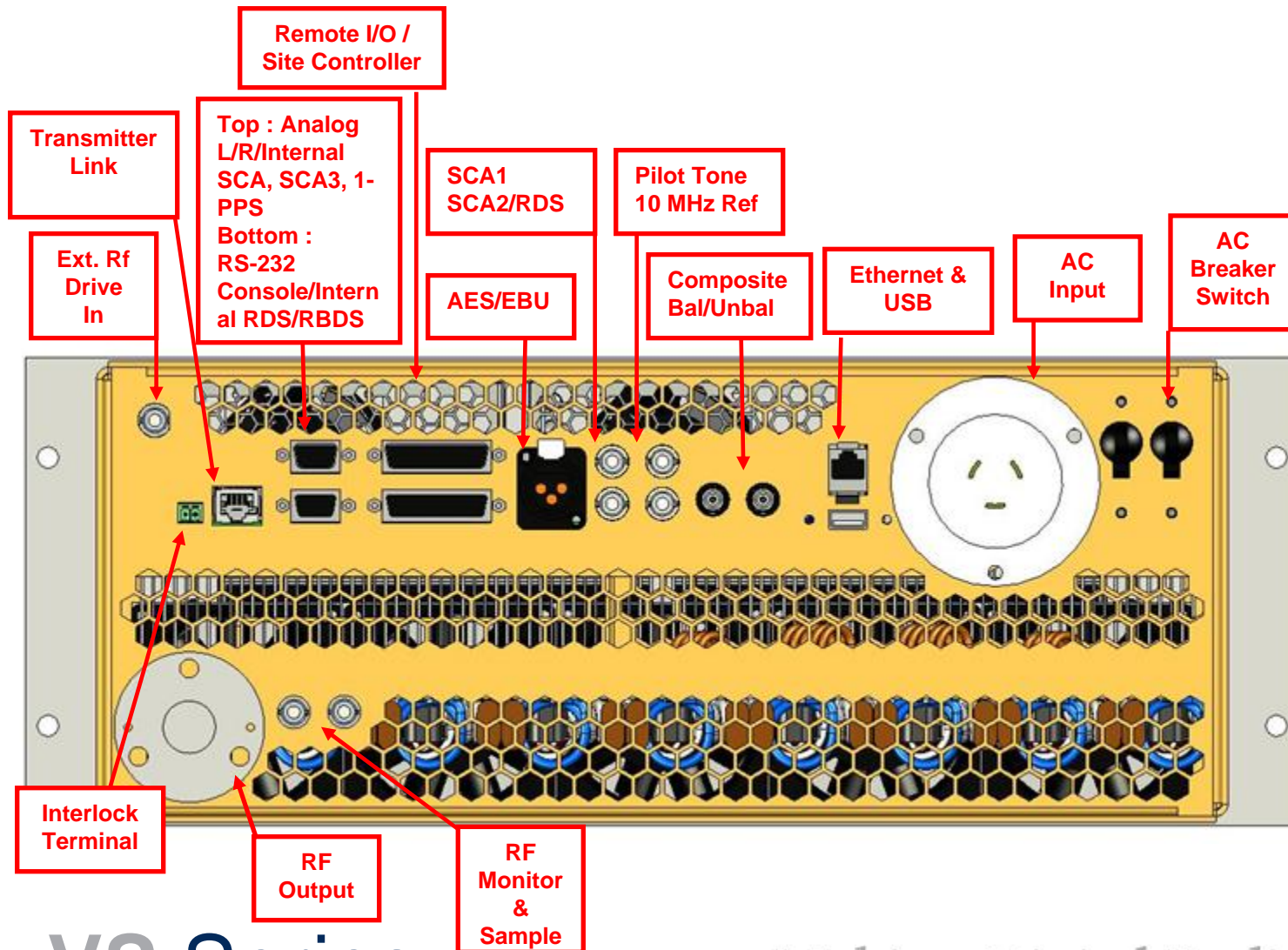
- 4 RU
- 8 power amplifiers
- Extra power: 2800W
- Easy user interface
- TCP/IP remote access
- Front access filter



VS Series

Making Digital Radio **Work.**

VS 2.5 Rear View and I/O



VS Series

Making Digital Radio **Work.**

VS HD: Digital Radio Upgrade



- Simple inexpensive digital upgrade
- Compact 2RU chassis includes Engine
- Supports Reliable HD Transport

 HD Radio



VS Series

Making Digital Radio **Work.**

Designed for Digital

- Plug-in Engine
- HD Power Boost
- Exporter Plus
- Reliable HD Transport



VS Series

Making Digital Radio **Work.**



VS Series

Making Digital Radio **Work.**

Thank You



VS Series

Making Digital Radio **Work.**

40MORE Years



Front row: Dennis Covill, John Pinks, David Grace



Early 70s



VS Series

Making Digital Radio **Work.**

Nautel 2009

Building #7



Nautel Engineering Team

New punch



Ooops



VS Series

Making Digital Radio **Work.**